

**NEW ABLOY® EL404
ELECTROMECHANICAL LOCK FOR
NARROW STILE DOORS
EUROPROFILE DIN RANGE**



ABLOY® EL404 lock case with double action bolt features an innovative adjustable backset technique.

TECHNICAL DETAILS

| | |
|---------------------|---|
| Operating voltage | 12-24 VDC (-10%/+15%) |
| Current consumption | max 550 mA (12 VDC) idle 240 mA (12 VDC) max 270 mA (24 VDC) idle 110mA (24 VDC) |
| Temperature range | -20°C...+60°C |
| Bolt throw | 14,5 mm |
| Adjustable backset | 25, 30, 35 mm |
| Forend | 25 mm |

FINISH

Chrome plated forend

CYLINDERS

- Europrofile DIN type; **ABLOY® DISKLOCK PRO**, **ABLOY® PROTEC**, ASSA, RUKO, TrioVing or other.

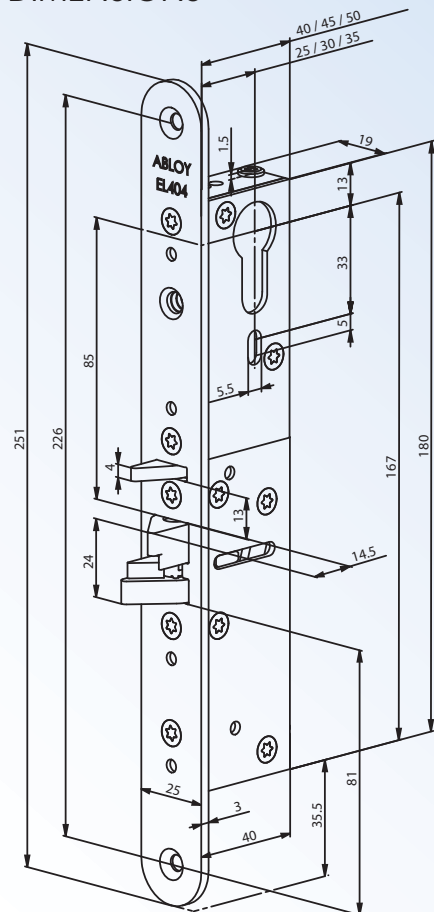
PACKAGE

Lock case, strike plate EA307, connection plugs, fixing screws, lock case manual

MONITORING

Deadlocking status of double action bolt

DIMENSIONS



APPLICATION

ABLOY® EL404 is typically used in the exterior doors of apartment buildings and interior doors of business premises.

The locks include a new double action bolt construction for durable and easy use and they offer a cost-effective way of electric locking that is highly advantageous in comparison to e.g. electric strike.

ABLOY® EL404 can be controlled by a variety of electrical impulse generating equipment such as card reader, keypad or timer. The locks can be connected to automatic swing door operators and are an excellent solution for use in access control systems. Frame mounting above the door is also possible.

Because of its unique symmetrical trigger bolt **ABLOY® EL404** can be used in swinging doors.

FUNCTION

Door can be opened by pushing or pulling when electric control is switched on.

ABLOY® EL404 can be configured to operate also fail unlocked, when the door can be opened by pushing or pulling when the electric control is switched off.

Lock can always be opened by key or by thumbturn and the lock deadlocks when the door closes.

New functional features

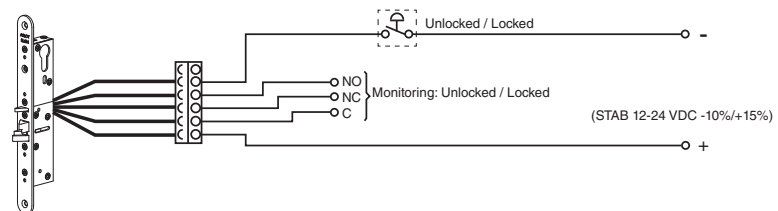
- Adjustable backset
- Non-handed, symmetrical trigger bolt
- Immediate release of deadlocking
- Configurable fail locked / fail unlocked
- Wide operating voltage

ABLOY® EL404 is not recommended for use in doors with seal force.

The locks can not be used in fire doors.

In swinging doors the lock may be locked only when the door has completely stopped in the closed -position.

WIRING PRINCIPLE



CYLINDERS

D = **ABLOY® DISKLOCK PRO**, N = **ABLOY® PROTEC**

| | |
|---------------------|---------------------|
| Single | CY303D, N CY321N |
| Double | CY304D, N CY322N |
| Single w/ thumbturn | CY305D, N CY323N |

ACCESSORIES (Please order separately)

| | |
|------------|--|
| Strike | EA308, 4613, 4614 443608 (for swinging doors) |
| Cable | EA211 (6 m) EA221 (10 m) |
| Lead cover | EA280 or EA281 |



www.abloy.com

Abloy Oy
Wahlforssinkatu 20
P.O.Box 108
FI-80101 JOENSUU
FINLAND
Tel. +358 20 599 2501
Fax +358 20 599 2209

